

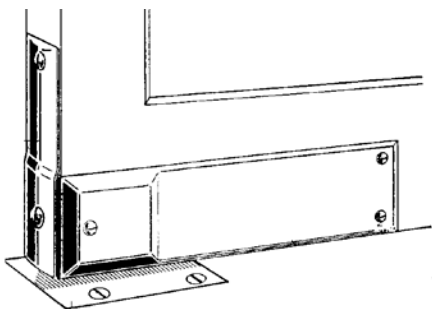
Top brackets; plunger and receiver



Also works for double swinging doors:



Bottom plate, heel with adjustable mechanism; stops at 90 degree either side, spring loaded.



Side Cover Plates stainless steel, heel plate aluminum

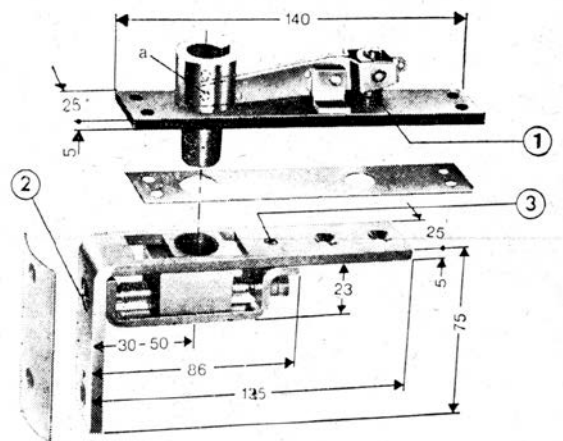


- Steel door closer for double swinging doors interior grade
- Bottom Side Cover Plates, 304 stainless steel
- Mechanism steel, zinc plated.
- Finish: Satin stainless steel.

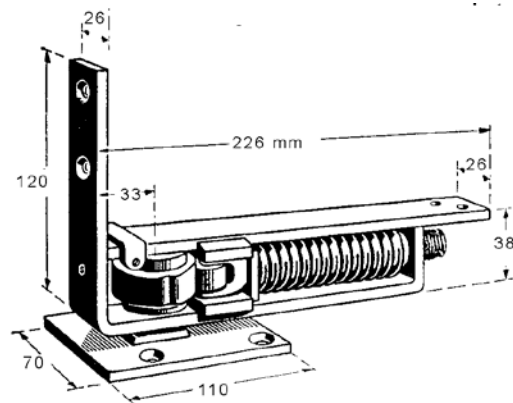
36.45A: Door closer, swinging 180 degrees 90 degree with stops at 90 degree open either side. For doors up to 100 kg.

One Set contains:

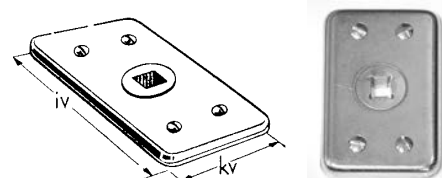
- Top mounting bracket (adjustable, mounts in door jamb)
- Doorcloser mechanism, spring loaded, mounts in bottom of door
- bottom plate, mounts on floor, adjustable
- cover plates, 3x stainless steel for bottom, 2x aluminum for top



Top hinge construction, built in head jamb of door #1. showing pivot hinge mounted in head jamb #2 + #3. showing adjustment screws bracket mounted in door.



Picture above: Showing cover plates mounted on bottom on door and mechanism with sizes in mm.



Sideways adjustable bottom plate included Allows for aligning door with frame